

PEGASUS  **PRODUCTS**



PSDCCC-37

SMOKE-DETECTOR HIDDEN CAMERA

INSTRUCTION MANUAL [®] (29)

1. DESCRIPTION

This B/W (COLOR) Smoke-Detector Hidden Camera uses a high sensitive 1/3" interline transfer CCD Image Sensor (CCD = Charge Coupled Device), and all state circuitry which provides extremely long life and high reliability. This Camera offers excellent image quality and functions with low lag and high burn resistance, and is not subject to distortions from magnetic fields. Highly resistant to shock and vibration and easy to install, this Camera is an excellent choice for your B/W (COLOR) CCTV system.

2. INSTALLATION

STEP 1: Select a location in the ceiling where you want to install the camera unit.

STEP 2: Connect the cables as follows: 12V DC to (A), Video Out to (B). (Ref. Figure 1)

STEP 3: With your hand, position the camera unit so the camera is aimed toward the area to be observed.

STEP 4: While holding the unit in position, re-check the camera's horizontal sighting to ensure the unit's position is correct as placed in Step 1. (Ref. Figure 1)

STEP 5: If it is necessary to adjust the vertical view angle, do the following - Loosen screw (D) with a screwdriver. Turn the Camera Board (C) to the desired angle (you may use a portable monitor or communicate with the Master Control Room to make sure the view angle is correct). Tighten screw (D) to secure the vertical view angle. (Ref. Figure 1)

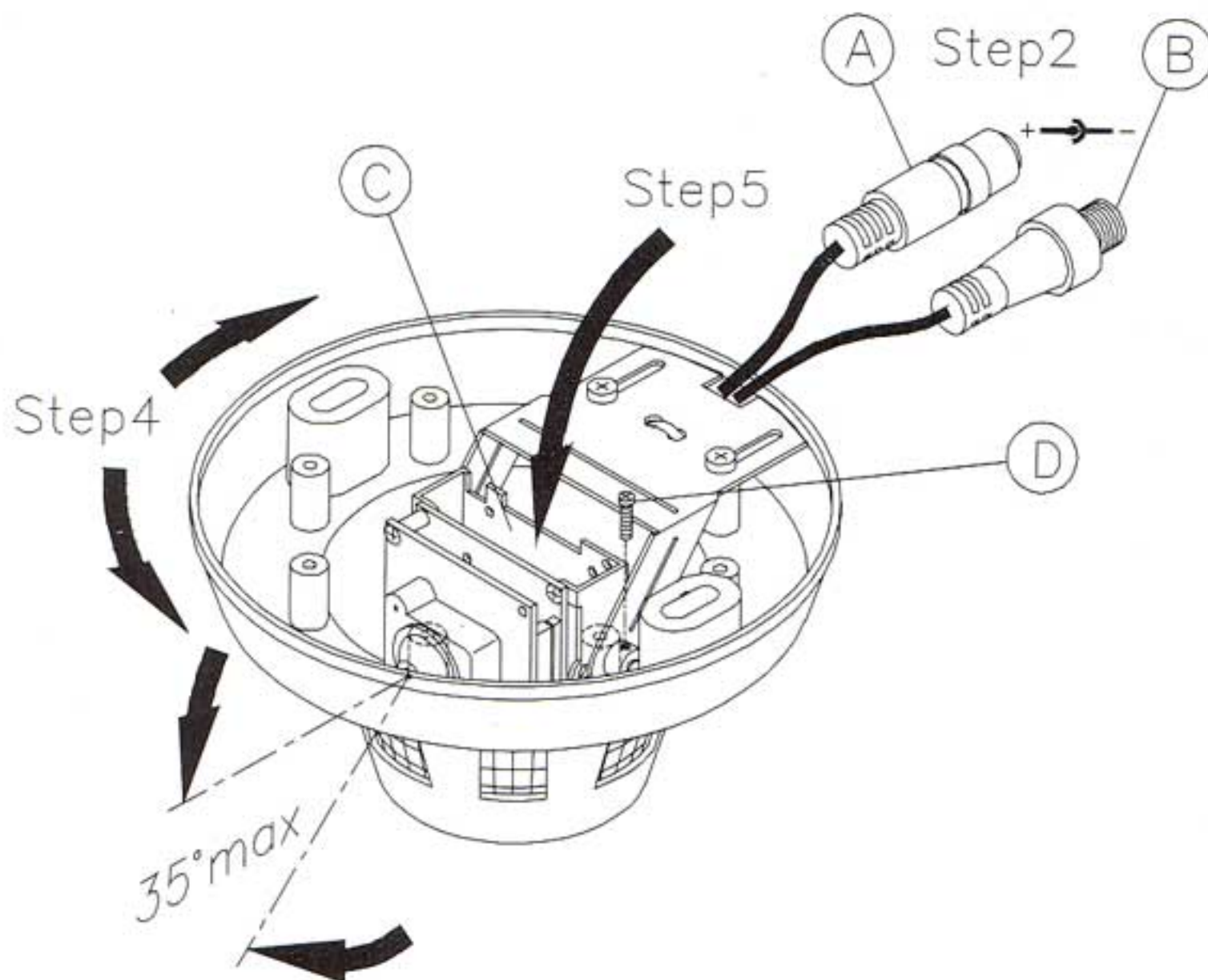


Figure 1 (Steps 1 through 5)

STEP 6: To secure the unit in the location selected in STEP 1, tighten the screws **E** in the holes as shown in Figure 2.

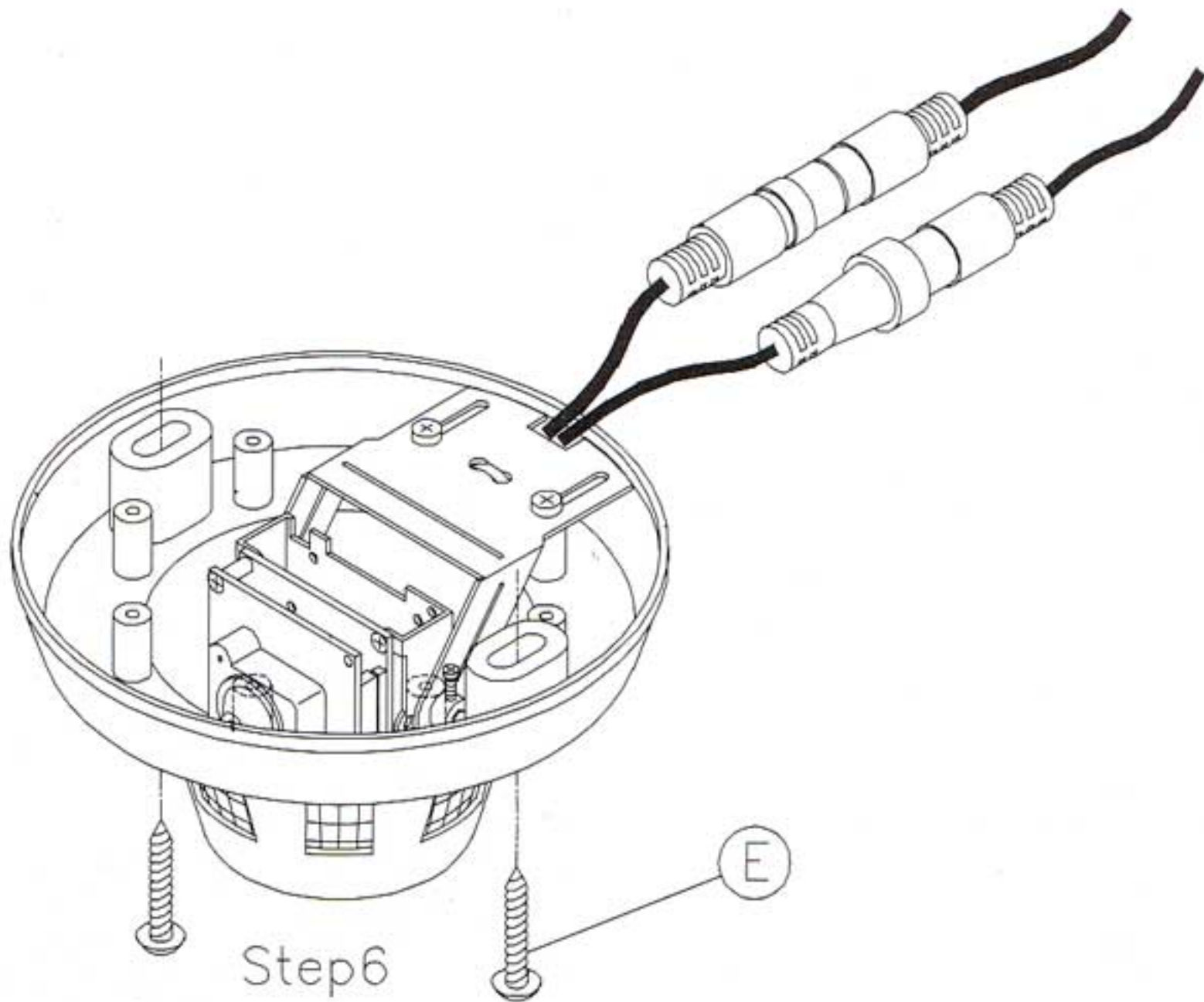


Figure 2 (Step 6)

3. SPECIFICATIONS

Model Type.	Color 1/3" CCD High Resolution	Color 1/3" CCD Normal Resolution	Color 1/4" CCD Normal Resolution	B/W 1/3" CCD High Resolution	B/W 1/3" CCD Normal Resolution	B/W 1/3" CCD Normal Resolution
Image Pick-up Device	SONY 1/3" Super HAD CCD sensor		SONY 1/4" Super HAD CCD sensor	SONY 1/3" SuperHAD CCD sensor		SAMSUNG 1/3" CCD sensor
Effective Picture Elements (H×V)	NTSC: 768×494 PAL: 752×582	NTSC: 510×492 PAL: 500×582		EIA: 768×494 CCIR: 752×582	EIA: 510×492 CCIR: 500×582	
Horizontal Resolution	470 TV lines	380 TV lines	330 TV lines	420 TV lines		400 TV lines
Minimum Illumination	0.4LUX@F2.0	0.2LUX@F2.0	0.5LUX@F2.0	0.1LUX@F2.0		0.3LUX@F2.0
Auto Electronic Shutter	NTSC: 1/60s ~ 1/100,000s, PAL: 1/50s ~ 1/110,000s			EIA: 1/60s~1/100,000s, CCIR: 1/50s~1/110,000s		
S/N Ratio	More than 48dB					
Auto white Balance	Yes (2500K~9500K)					
Auto Gain Control	Yes.					
Gamma Characteristic	0.45					
Lens Furnished	Cone Lens 3.7 mm / F2.0					
Synchronous System	Internal, Negative sync.					
Video Output	1 Vp-p / 75 Ohms. BNC or F connector					
Audio Output (optional)	2 Vp-p / 50 Ohms, RCA connector					
Power Supply	DC 12V ± 10%					
Power Consumption	220 mA	120 mA		110 mA		
Operating Temp.	-10°C to 50°C (14°F to 122°F)					