

# **BACK BOX**

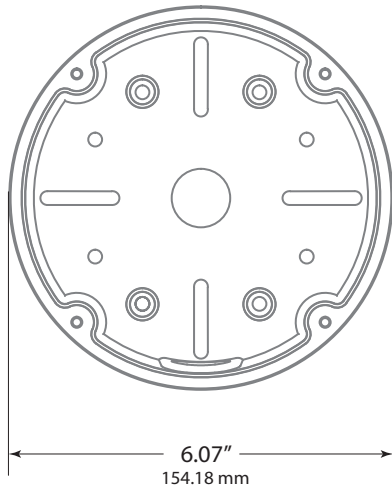
---

## **CA-BB-VL1**

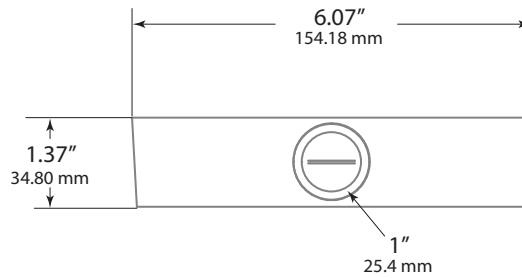
### **DIMENSIONS**

---

Bottom

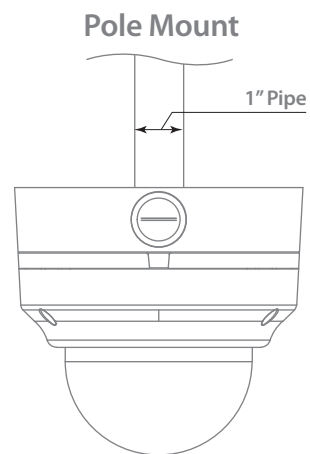
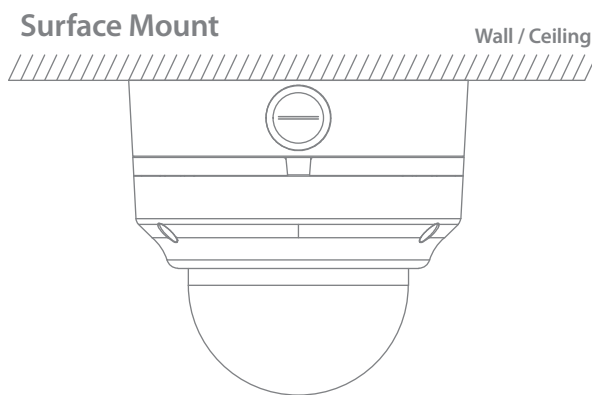


Side



### **APPLICATIONS**

---



### **COMPATIBLE CAMERAS**

---

- PTVVDV2DV